



**ECO
LIGHT**
INDUSTRIAL LED

**LED
HIGH
BAY &
FLOOD**

LEDIFL43-XXXAC-XX

ROBUST HIGH BAY & FLOOD LIGHT – 200 & 400W

The LEDIFL43 series of lights feature a unique LED modular design. Available in 200W and 400W and with a choice of 13°, 60° or 120° symmetrical beam spreads they are a versatile option for many applications. The tilt angle on each module can be set independently. An economical choice where high light levels are desired.

TYPICAL APPLICATIONS

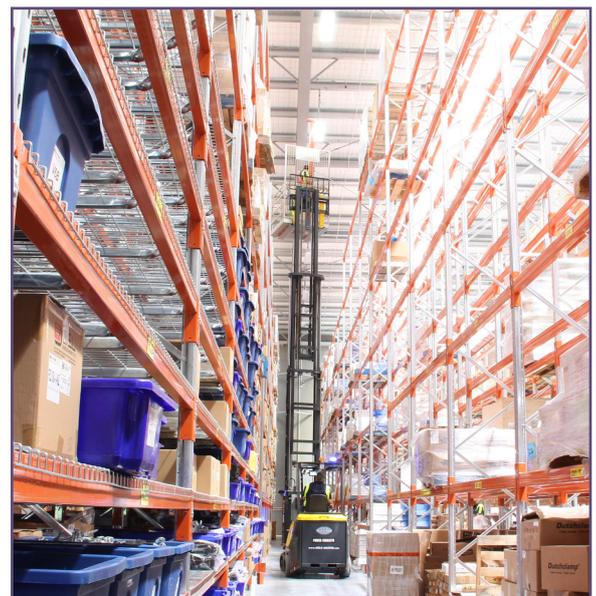
- Carparks
- Factories
- Warehouses
- Sports Fields
- Airports
- Area Lighting

SDOC is available on our website: www.ecolight.co.nz

TECHNICAL SPECIFICATIONS

Fixture/Part No.	LEDIFL43-XXXAC-XX
Power Consumption	200W, 400W
Fixture Lumens	22,000lm (200W 13°) 23,000lm (200W 60°) 24,000lm (200W 120°) 44,000lm (400W 13°) 46,000lm (400W 60°) 48,000lm (400W 120°)
LED	Nichia (13° beam angle) Philips (60° & 120° beam angles)
Lifetime L70 (TM-21)	>105,000 hours 60° & 120° >42,000 hours 13°
Beam Angles	13°, 60°, 120°
Efficacy	120lm/W @120°, 115lm/W @ 60°, 110lm/W @ 13°
Colour Temperature	5000K standard, others available on request
Colour Rendering (Ra)	>70 standard, >80 available on request
Power Factor	>0.95
Driver	Inventronics
IP Rating	IP65
Ambient Operating Temperature	-30°C to 40°C
Input Voltage	220-240V~ 50Hz
Weight	5.5kg (200W) 12kg (400W)
Material	Housing: High pressure die cast aluminium housing on a zinc chromate substrate finished with light grey powder coating* Bracket: Galv Steel with additional locking screws
Warranty	5yr manufacturers limited warranty

*Marine coating available on request



**LEDIFL43-200AC-60 in 7m stud warehouse
with onboard light & motion sensors**



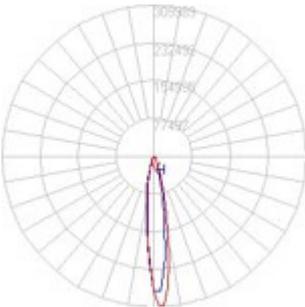
www.ecolight.co.nz

PRODUCT IMAGES

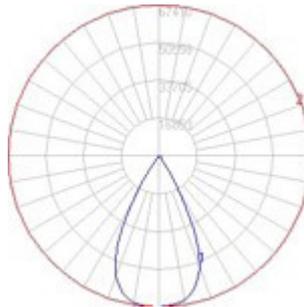


PHOTOMETRICS

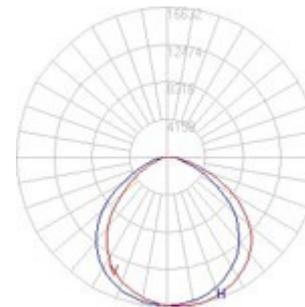
400W 13° beam angle



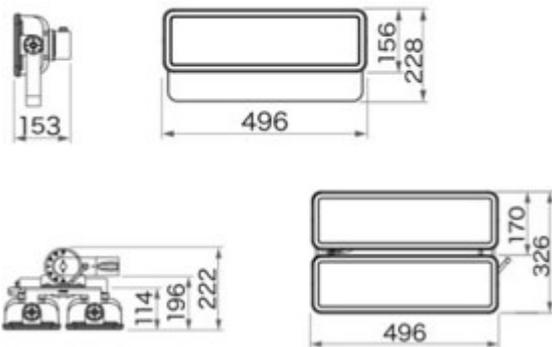
400W 60° beam angle



400W 120° beam angle



DIMENSIONS



PART NUMBER SEQUENCE

LEDIFL43-XXXAC-XX	
XXXAC= Power (W)	
XX = Beam Angle	
LEDIFL43-200AC-13	LEDIFL43-400AC-13
LEDIFL43-200AC-60	LEDIFL43-400AC-60
LEDIFL43-200AC-120	LEDIFL43-400AC-120